

Ada Sentences

David Moeljadi

Nanyang Technological University, Singapore

This study deals with syntactic and semantic analysis of *ada* sentences in standard Indonesian in the framework of Head-Driven Phrase Structure Grammar (HPSG) (Sag et al. 2003) and Minimal Recursion Semantics (MRS) (Copestake et al. 2005). The analysis will be computationally implemented in the Indonesian Resource Grammar (INDRA) (Moeljadi et al. 2015) to parse and generate sentences. *Ada* can be optionally used in quantity and locational clauses as shown in Example 1 a and 1 b; it is used in existential clauses as shown in Example 1 c, 1 d, and 1 e; and it may be used to express possession as shown in Example 1 f.

- (1) (a) *Anaknya (ada) lima.*
 child=3SG (ADA) five
 “His/her children are five.” (based on Sneddon et al. 2010: 243)
- (b) *Budi (ada/berada) di rumah.*
 Budi (ADA/BER-ADA) at house
 “Budi is at home.”
- (c) *Budi ada.*
 Budi ADA
 “Budi exists/is present.”
- (d) *Di rumah itu ada seseorang.*
 at house that ADA someone
 “There is someone in that house.”
- (e) *Ada seseorang di rumah itu.*
 ADA someone at house that
 “There is someone in that house.”
- (f) *Budi ada pensil.*
 Budi ADA pencil
 “Budi has a pencil.”

Analysis of locational clause with *ada* – a locational clause has a PP as the main semantic content and an optional verb *ada* or *berada*. We treat *ada* and *berada* as auxiliaries which do not introduce a predicate of their own. The head of the subject is a noun and the head of the complement is a preposition. Figure 1 shows the parse tree of Example 1 b with an existential verb *ada*. In the MRS representation, the value of **ARG0** of the semantic head daughter *_di_p_rel* is an event (*e2*) which is equated with the **INDEX**. The value of its **ARG1** and **ARG2** refer to the value of **ARG0** of *named_rel* “*budi*” (*x3*) and *_rumah_n_rel* (*x9*) respectively, as shown in Figure 2.

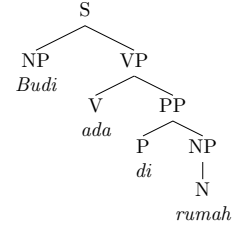


Figure 1: Parse tree of *Budi ada di rumah* “Budi is at home”

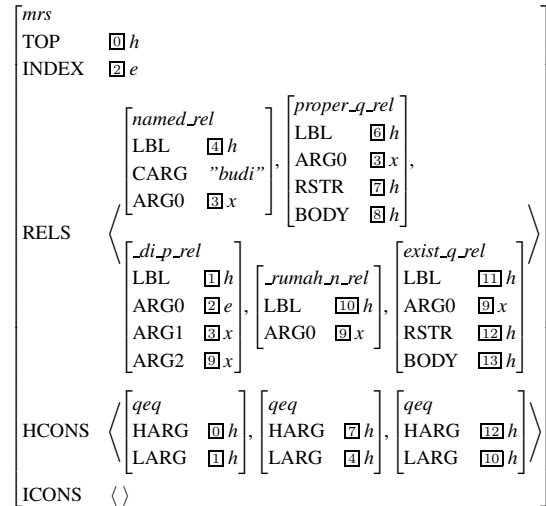


Figure 2: MRS representation of *Budi ada di rumah*

References

- [1] Copestake, Ann, Dan Flickinger, Carl Pollard, and Ivan A. Sag (2005) Minimal Recursion Semantics: An Introduction. *Research on Language and Computation* 3(4), 281–332.
- [2] Moeljadi, David, Francis Bond, and Sanghoun Song (2015) Building an HPSG-based Indonesian Resource Grammar (INDRA). In *Proceedings of the Grammar Engineering Across Frameworks Workshop*, Beijing, 9-16.
- [3] Sag, Ivan A., Thomas Wasow, and Emily M. Bender (2003) *Syntactic Theory: A Formal Introduction*. Second edition. Stanford: CSLI Publications.
- [4] Sneddon, James N., Alexander Adelaar, Dwi Noverini Djenar, and Michael C. Ewing (2010) *Indonesian reference grammar*. Second edition. Sydney: Allen & Unwin.